



# CorePro LEDbulbs

## CorePro LEDbulb ND 8-60W A60 E27 830

CorePro LEDbulbs are compatible with existing fixtures with an E27 or B22 holder and are designed for retrofit replacement of incandescent bulbs. They deliver huge energy savings and minimize maintenance cost. The CorePro LED bulb is the perfect bulb for your basic lighting needs. It provides the beautiful light and dependable performance you expect from LED at an affordable price.

### Product data

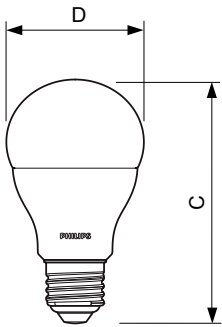
General Information		Lamp Current (Nom)	
Cap-Base	E27 [ E27]		75 mA
Nominal Lifetime (Nom)	15000 h	Wattage Equivalent	60 W
Switching Cycle	50000X	Starting Time (Nom)	0.5 s
Technical Type	8-60W	Warm Up Time To 60% Light (Nom)	0.5 s
		Power Factor (Nom)	0.5
		Voltage (Nom)	220-240 V
Light Technical		Temperature	
Color Code	830 [ CCT of 3000K]	T-Case Maximum (Nom)	86 °C
Beam Angle (Nom)	200 °		
Luminous Flux (Nom)	806 lm	Controls and Dimming	
Luminous Flux (Rated) (Nom)	806 lm	Dimmable	No
Color Designation	White (WH)	Mechanical and Housing	
Correlated Color Temperature (Nom)	3000 K	Bulb Finish	Frosted
Luminous Efficacy (rated) (Nom)	100.75 lm/W	Approval and Application	
Color Consistency	<6	Energy Saving Product	Yes
Color Rendering Index (Nom)	80	Suitable For Accent Lighting	No
LLMF At End Of Nominal Lifetime (Nom)	70 %	Energy Efficiency Label (EEL)	A+
Operating and Electrical			
Input Frequency	50 to 60 Hz		
Power (Rated) (Nom)	8 W		

## CorePro LEDbulbs

Energy Consumption kWh/1000 h	8 kWh
<b>Product Data</b>	
Full product code	871869657771400
Order product name	CorePro LEDbulb ND 8-60W A60 E27 830
EAN/UPC - Product	8718696577714
Order code	929001162232

Numerator - Quantity Per Pack	1
Numerator - Packs per outer box	10
Material Nr. (12NC)	929001162232
Net Weight (Piece)	0.076 kg

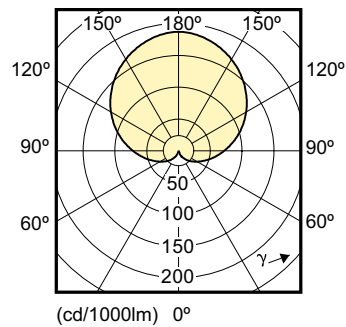
### Dimensional drawing



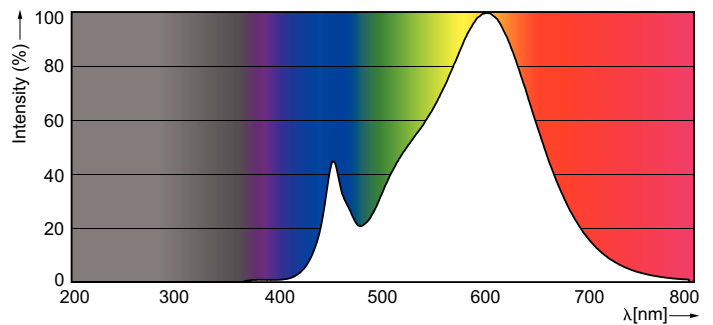
LED 9.5-60W E27 830

Product	D	C
CorePro LEDbulb ND 8-60W A60 E27 830	60 mm	110 mm

### Photometric data



A60/ A67 E27 FR



A60 /830 FR

