



CorePro LEDbulbs

CorePro LEDbulb ND 8-60W A60 E27 827

CorePro LEDbulbs are compatible with existing fixtures with an E27 or B22 holder and are designed for retrofit replacement of incandescent bulbs. They deliver huge energy savings and minimize maintenance cost. The CorePro LED bulb is the perfect bulb for your basic lighting needs. It provides the beautiful light and dependable performance you expect from LED at an affordable price.

Product data

General Information	
Cap-Base	E27 [E27]
Nominal Lifetime (Nom)	15000 h
Switching Cycle	50000X
Technical Type	8-60W

Light Technical	
Color Code	827 [CCT of 2700K]
Beam Angle (Nom)	200 °
Luminous Flux (Nom)	806 lm
Luminous Flux (Rated) (Nom)	806 lm
Color Designation	Warm White (WW)
Correlated Color Temperature (Nom)	2700 K
Luminous Efficacy (rated) (Nom)	100.75 lm/W
Color Consistency	<6
Color Rendering Index (Nom)	80
LLMF At End Of Nominal Lifetime (Nom)	70 %

Operating and Electrical	
Input Frequency	50 to 60 Hz
Power (Rated) (Nom)	8 W

Lamp Current (Nom)	70 mA
Wattage Equivalent	60 W
Starting Time (Nom)	0.5 s
Warm Up Time To 60% Light (Nom)	0.5 s
Power Factor (Nom)	0.5
Voltage (Nom)	220-240 V

Temperature	
T-Case Maximum (Nom)	85 °C

Controls and Dimming	
Dimmable	No

Mechanical and Housing	
Bulb Finish	Frosted

Approval and Application	
Energy Efficiency Label (EEL)	A+
Energy Consumption kWh/1000 h	8 kWh

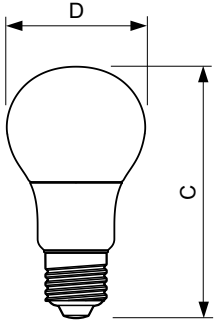
CorePro LEDbulbs

Product Data

Full product code	871869657755400
Order product name	CorePro LEDbulb ND 8-60W A60 E27 827
EAN/UPC - Product	8718696577554
Order code	929001234302
Numerator - Quantity Per Pack	1

Numerator - Packs per outer box	10
Material Nr. (12NC)	929001234302
Net Weight (Piece)	0.076 kg

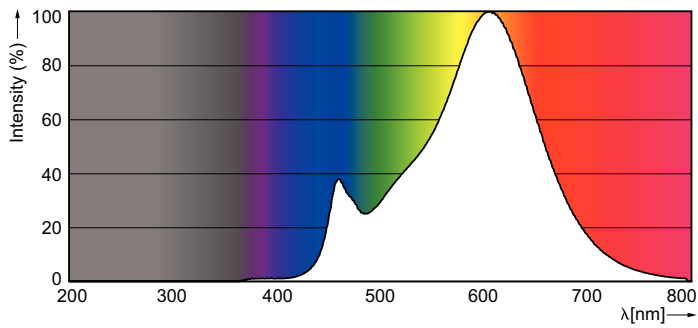
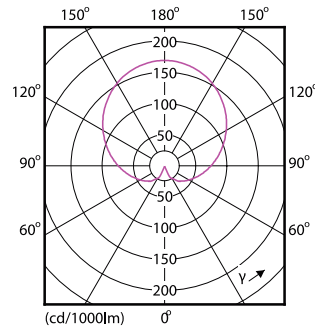
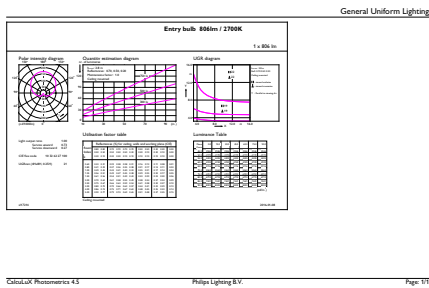
Dimensional drawing



Entrybulb A60 230V 8W-60W 2700K E27 ND

Product	D	C
CorePro LEDbulb ND 8-60W A60 E27 827	60 mm	110 mm

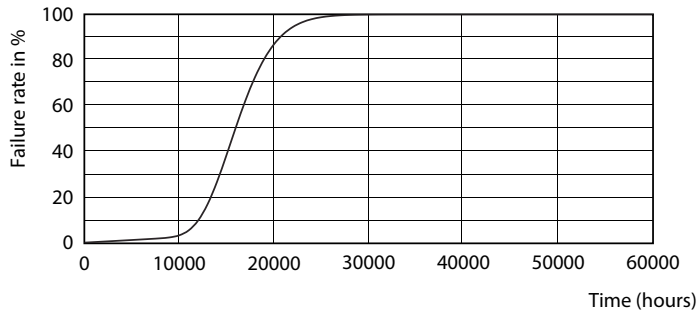
Photometric data



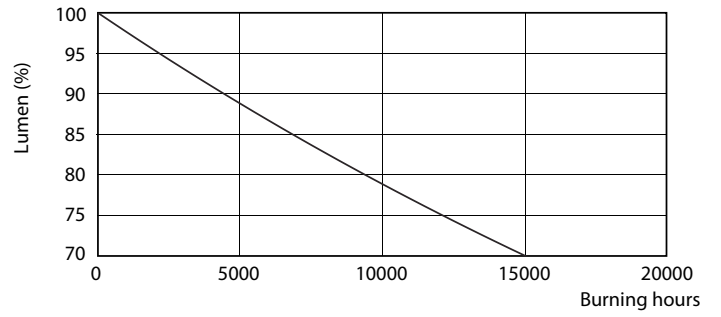
A60, A67 /827 FR

CorePro LEDbulbs

Lifetime



LEDbulb 40W E27 830 FR A60



LEDbulb 40W E27 830 FR A60

