



CorePro LEDbulbs

CorePro LEDbulb D 8.5-60W A60 E27 827

CorePro LEDbulbs are compatible with existing fixtures with an E27 or B22 holder and are designed for retrofit replacement of incandescent bulbs. They deliver huge energy savings and minimize maintenance cost. The CorePro LED bulb is the perfect bulb for your basic lighting needs. It provides the beautiful light and dependable performance you expect from LED at an affordable price.

Product data

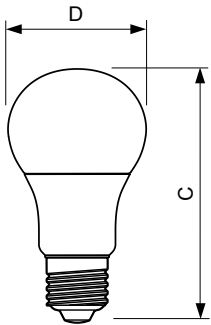
General Information		Lamp Current (Nom)	
Cap-Base	E27 [E27]	Wattage Equivalent	60 W
Nominal Lifetime (Nom)	15000 h	Starting Time (Nom)	0.5 s
Switching Cycle	50000X	Warm Up Time To 60% Light (Nom)	0.5 s
Technical Type	8.5-60W	Power Factor (Nom)	0.7
		Voltage (Nom)	220-240 V
Light Technical		Temperature	
Color Code	827 [CCT of 2700K]	T-Case Maximum (Nom)	90 °C
Beam Angle (Nom)	200 °		
Luminous Flux (Nom)	806 lm	Controls and Dimming	
Luminous Flux (Rated) (Nom)	806 lm	Dimmable	Yes
Color Designation	Warm White (WW)	Mechanical and Housing	
Correlated Color Temperature (Nom)	2700 K	Bulb Finish	Frosted
Luminous Efficacy (rated) (Nom)	94.00 lm/W	Approval and Application	
Color Consistency	<6	Energy Saving Product	Yes
Color Rendering Index (Nom)	80	Suitable For Accent Lighting	No
LLMF At End Of Nominal Lifetime (Nom)	70 %	Energy Efficiency Label (EEL)	A+
Operating and Electrical			
Input Frequency	50 to 60 Hz		
Power (Rated) (Nom)	8.5 W		

CorePro LEDbulbs

Energy Consumption kWh/1000 h	9 kWh
Product Data	
Full product code	871869657747900
Order product name	CorePro LEDbulb D 8.5-60W A60 E27 827
EAN/UPC - Product	8718696577479
Order code	929001232602

Numerator - Quantity Per Pack	1
Numerator - Packs per outer box	10
Material Nr. (12NC)	929001232602
Net Weight (Piece)	0.076 kg

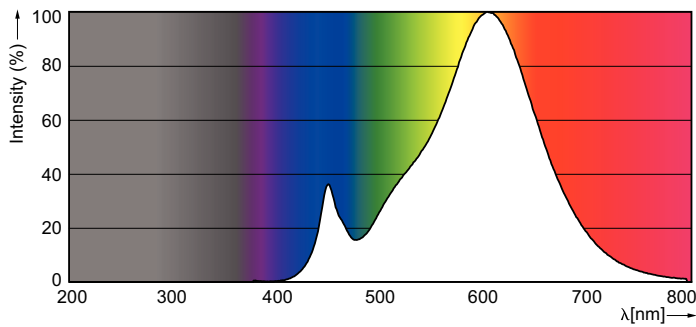
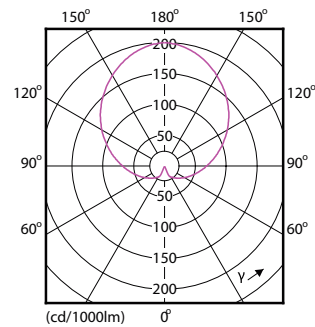
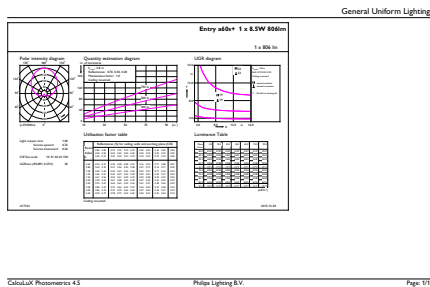
Dimensional drawing



Entry bulb 230V 9.5W-60W 2700K E27 D

Product	D	C
CorePro LEDbulb D 8.5-60W A60 E27 827	60 mm	110 mm

Photometric data



A67 /827 1521 lm

CorePro LEDbulbs

