



CorePro LEDbulbs

CorePro LEDbulb 13.5-100W 827 E27

CorePro LEDbulbs are compatible with existing fixtures with an E27 or B22 holder and are designed for retrofit replacement of incandescent bulbs. They deliver huge energy savings and minimize maintenance cost. The CorePro LED bulb is the perfect bulb for your basic lighting needs. It provides the beautiful light and dependable performance you expect from LED at an affordable price.

Product data

General Information		Lamp Current (Nom)	
Cap-Base	E27 [E27]		120 mA
Nominal Lifetime (Nom)	15000 h	Wattage Equivalent	100 W
Switching Cycle	50000X	Starting Time (Nom)	0.5 s
Technical Type	13.5-100W	Warm Up Time To 60% Light (Nom)	instant full light
		Power Factor (Nom)	0.5
		Voltage (Nom)	220-240 V
Light Technical		Temperature	
Color Code	827 [CCT of 2700K]	T-Case Maximum (Nom)	80 °C
Beam Angle (Nom)	200 °		
Luminous Flux (Nom)	1521 lm	Controls and Dimming	
Luminous Flux (Rated) (Nom)	1521 lm	Dimmable	No
Color Designation	White (WH)	Mechanical and Housing	
Correlated Color Temperature (Nom)	2700 K	Bulb Finish	Frosted
Luminous Efficacy (rated) (Nom)	112.67 lm/W	Approval and Application	
Color Consistency	<6	Suitable For Accent Lighting	No
Color Rendering Index (Nom)	80	Energy Efficiency Label (EEL)	A+
LLMF At End Of Nominal Lifetime (Nom)	70 %	Energy Consumption kWh/1000 h	14 kWh
Operating and Electrical			
Input Frequency	50 to 60 Hz		
Power (Rated) (Nom)	13.5 W		

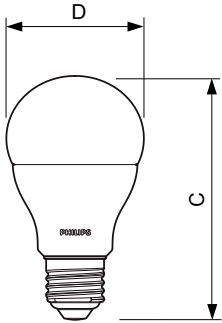
CorePro LEDbulbs

Product Data

Full product code	871869649074700
Order product name	CorePro LEDbulb 13.5-100W 827 E27
EAN/UPC - Product	8718696490747
Order code	929001171502
Numerator - Quantity Per Pack	1

Numerator - Packs per outer box	10
Material Nr. (12NC)	929001171502
Net Weight (Piece)	0.076 kg

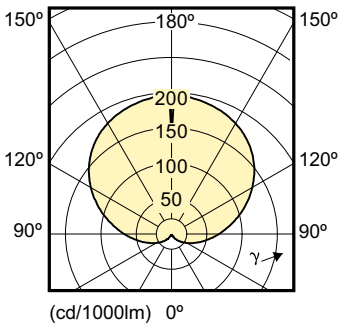
Dimensional drawing



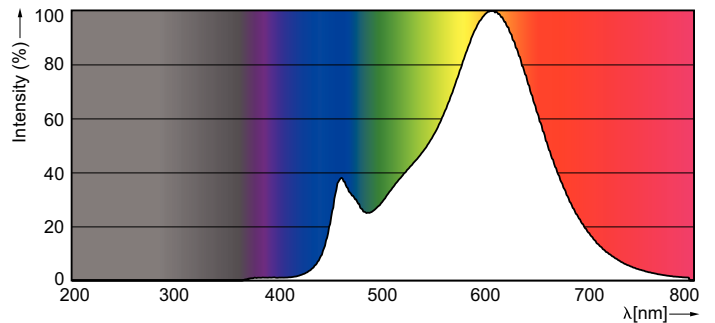
LED 13.5-100W E27 827

Product	D	C
CorePro LEDbulb 13.5-100W 827 E27	60 mm	110 mm

Photometric data



100W E27 A60



A60, A67 /827 FR

