



Classic frosted LED Lamps

LEDClassic 60W A60 E27 WW FR ND 1CT/10

Featuring a classic heritage design, LED frosted Classic bulbs deliver beautiful, decorative warm-white light while saving around 90% on energy costs. The familiar shapes of the LED frosted Classic lamps are a perfect fit for your existing fixtures.

Product data

General Information	
Cap-Base	E27 [E27]
Main Application	Industrial
Nominal Lifetime (Nom)	15000 h
Switching Cycle	30000X
Light Technical	
Color Code	827 [CCT of 2700K]
Beam Angle (Nom)	300 °
Luminous Flux (Nom)	806 lm
Luminous Flux (Rated) (Nom)	806 lm
Color Designation	Warm White (WW)
Correlated Color Temperature (Nom)	2700 K
Luminous Efficacy (rated) (Nom)	115 lm/W
Color Consistency	<6
Color Rendering Index (Nom)	80
LLMF At End Of Nominal Lifetime (Nom)	70 %
Operating and Electrical	
Input Frequency	50 to 60 Hz

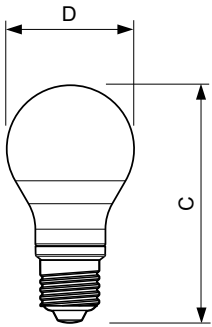
Power (Rated) (Nom)	7 W
Lamp Current (Nom)	50 mA
Wattage Equivalent	60 W
Starting Time (Nom)	0.5 s
Warm Up Time To 60% Light (Nom)	0.5 s
Power Factor (Nom)	0.55
Voltage (Nom)	220-240 V
Temperature	
T-Case Maximum (Nom)	90 °C
Controls and Dimming	
Dimmable	No
Mechanical and Housing	
Bulb Finish	Frosted
Approval and Application	
Energy Saving Product	Yes
Suitable For Accent Lighting	No

Classic frosted LED Lamps

Energy Efficiency Label (EEL)	A++
Energy Consumption kWh/1000 h	7 kWh
Product Data	
Full product code	871869647218700
Order product name	LEDClassic 60W A60 E27 WW FR ND 1CT/10
EAN/UPC - Product	8718696472187

Order code	929001243061
Numerator - Quantity Per Pack	1
Numerator - Packs per outer box	10
Material Nr. (12NC)	929001243061
Net Weight (Piece)	38.000 g

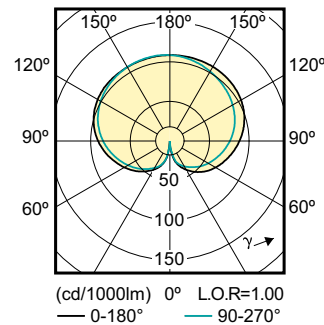
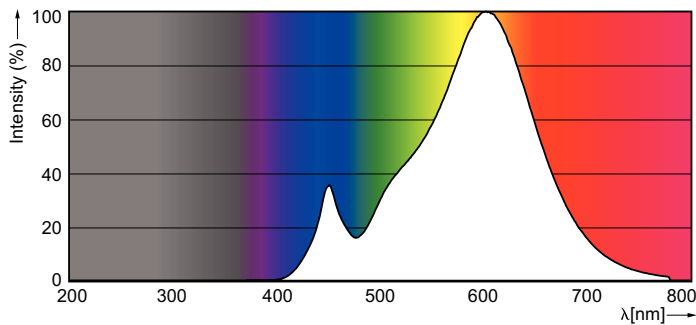
Dimensional drawing



Bulb A60 220~240V 7W 806lm 2700K E27 ND

Product	D	C
LEDClassic 60W A60 E27 WW FR ND 1CT/10	60 mm	110 mm

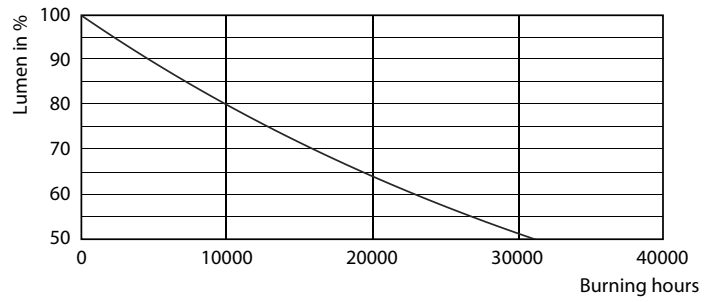
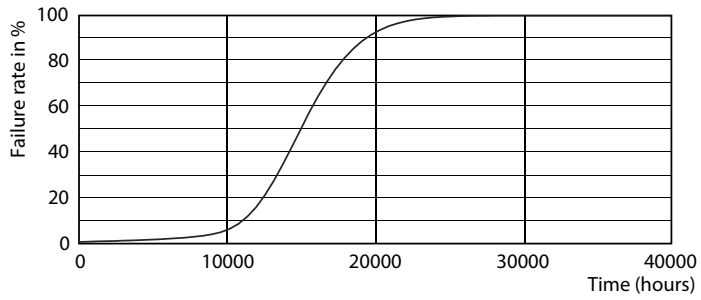
Photometric data



INCA 60W 1xInca 230V AC																																																																																																																																																																																																																																	
1 x 806 lm																																																																																																																																																																																																																																	
<p>Photo-metric diagram</p>	<p>Quantity variation diagram</p>																																																																																																																																																																																																																																
<p>Utilization factor table</p> <table border="1"> <thead> <tr> <th>Room height (m)</th> <th>Room width (m)</th> <th>Room length (m)</th> <th>Utilization factor (%)</th> </tr> </thead> <tbody> <tr><td>2.7</td><td>2.7</td><td>2.7</td><td>0.85</td></tr> <tr><td>2.7</td><td>2.7</td><td>3.6</td><td>0.80</td></tr> <tr><td>2.7</td><td>2.7</td><td>4.5</td><td>0.75</td></tr> <tr><td>2.7</td><td>3.6</td><td>2.7</td><td>0.80</td></tr> <tr><td>2.7</td><td>3.6</td><td>3.6</td><td>0.75</td></tr> <tr><td>2.7</td><td>3.6</td><td>4.5</td><td>0.70</td></tr> <tr><td>2.7</td><td>4.5</td><td>2.7</td><td>0.75</td></tr> <tr><td>2.7</td><td>4.5</td><td>3.6</td><td>0.70</td></tr> <tr><td>2.7</td><td>4.5</td><td>4.5</td><td>0.65</td></tr> <tr><td>3.6</td><td>2.7</td><td>2.7</td><td>0.75</td></tr> <tr><td>3.6</td><td>2.7</td><td>3.6</td><td>0.70</td></tr> <tr><td>3.6</td><td>2.7</td><td>4.5</td><td>0.65</td></tr> <tr><td>3.6</td><td>3.6</td><td>2.7</td><td>0.70</td></tr> <tr><td>3.6</td><td>3.6</td><td>3.6</td><td>0.65</td></tr> <tr><td>3.6</td><td>3.6</td><td>4.5</td><td>0.60</td></tr> <tr><td>3.6</td><td>4.5</td><td>2.7</td><td>0.65</td></tr> <tr><td>3.6</td><td>4.5</td><td>3.6</td><td>0.60</td></tr> <tr><td>3.6</td><td>4.5</td><td>4.5</td><td>0.55</td></tr> <tr><td>4.5</td><td>2.7</td><td>2.7</td><td>0.65</td></tr> <tr><td>4.5</td><td>2.7</td><td>3.6</td><td>0.60</td></tr> <tr><td>4.5</td><td>2.7</td><td>4.5</td><td>0.55</td></tr> <tr><td>4.5</td><td>3.6</td><td>2.7</td><td>0.60</td></tr> <tr><td>4.5</td><td>3.6</td><td>3.6</td><td>0.55</td></tr> <tr><td>4.5</td><td>3.6</td><td>4.5</td><td>0.50</td></tr> <tr><td>4.5</td><td>4.5</td><td>2.7</td><td>0.55</td></tr> <tr><td>4.5</td><td>4.5</td><td>3.6</td><td>0.50</td></tr> <tr><td>4.5</td><td>4.5</td><td>4.5</td><td>0.45</td></tr> </tbody> </table>	Room height (m)	Room width (m)	Room length (m)	Utilization factor (%)	2.7	2.7	2.7	0.85	2.7	2.7	3.6	0.80	2.7	2.7	4.5	0.75	2.7	3.6	2.7	0.80	2.7	3.6	3.6	0.75	2.7	3.6	4.5	0.70	2.7	4.5	2.7	0.75	2.7	4.5	3.6	0.70	2.7	4.5	4.5	0.65	3.6	2.7	2.7	0.75	3.6	2.7	3.6	0.70	3.6	2.7	4.5	0.65	3.6	3.6	2.7	0.70	3.6	3.6	3.6	0.65	3.6	3.6	4.5	0.60	3.6	4.5	2.7	0.65	3.6	4.5	3.6	0.60	3.6	4.5	4.5	0.55	4.5	2.7	2.7	0.65	4.5	2.7	3.6	0.60	4.5	2.7	4.5	0.55	4.5	3.6	2.7	0.60	4.5	3.6	3.6	0.55	4.5	3.6	4.5	0.50	4.5	4.5	2.7	0.55	4.5	4.5	3.6	0.50	4.5	4.5	4.5	0.45	<p>Luminance Table</p> <table border="1"> <thead> <tr> <th>Room height (m)</th> <th>Room width (m)</th> <th>Room length (m)</th> <th>Luminance (cd/m²)</th> </tr> </thead> <tbody> <tr><td>2.7</td><td>2.7</td><td>2.7</td><td>100</td></tr> <tr><td>2.7</td><td>2.7</td><td>3.6</td><td>100</td></tr> <tr><td>2.7</td><td>2.7</td><td>4.5</td><td>100</td></tr> <tr><td>2.7</td><td>3.6</td><td>2.7</td><td>100</td></tr> <tr><td>2.7</td><td>3.6</td><td>3.6</td><td>100</td></tr> <tr><td>2.7</td><td>3.6</td><td>4.5</td><td>100</td></tr> <tr><td>2.7</td><td>4.5</td><td>2.7</td><td>100</td></tr> <tr><td>2.7</td><td>4.5</td><td>3.6</td><td>100</td></tr> <tr><td>2.7</td><td>4.5</td><td>4.5</td><td>100</td></tr> <tr><td>3.6</td><td>2.7</td><td>2.7</td><td>100</td></tr> <tr><td>3.6</td><td>2.7</td><td>3.6</td><td>100</td></tr> <tr><td>3.6</td><td>2.7</td><td>4.5</td><td>100</td></tr> <tr><td>3.6</td><td>3.6</td><td>2.7</td><td>100</td></tr> <tr><td>3.6</td><td>3.6</td><td>3.6</td><td>100</td></tr> <tr><td>3.6</td><td>3.6</td><td>4.5</td><td>100</td></tr> <tr><td>3.6</td><td>4.5</td><td>2.7</td><td>100</td></tr> <tr><td>3.6</td><td>4.5</td><td>3.6</td><td>100</td></tr> <tr><td>3.6</td><td>4.5</td><td>4.5</td><td>100</td></tr> <tr><td>4.5</td><td>2.7</td><td>2.7</td><td>100</td></tr> <tr><td>4.5</td><td>2.7</td><td>3.6</td><td>100</td></tr> <tr><td>4.5</td><td>2.7</td><td>4.5</td><td>100</td></tr> <tr><td>4.5</td><td>3.6</td><td>2.7</td><td>100</td></tr> <tr><td>4.5</td><td>3.6</td><td>3.6</td><td>100</td></tr> <tr><td>4.5</td><td>3.6</td><td>4.5</td><td>100</td></tr> <tr><td>4.5</td><td>4.5</td><td>2.7</td><td>100</td></tr> <tr><td>4.5</td><td>4.5</td><td>3.6</td><td>100</td></tr> <tr><td>4.5</td><td>4.5</td><td>4.5</td><td>100</td></tr> </tbody> </table>	Room height (m)	Room width (m)	Room length (m)	Luminance (cd/m²)	2.7	2.7	2.7	100	2.7	2.7	3.6	100	2.7	2.7	4.5	100	2.7	3.6	2.7	100	2.7	3.6	3.6	100	2.7	3.6	4.5	100	2.7	4.5	2.7	100	2.7	4.5	3.6	100	2.7	4.5	4.5	100	3.6	2.7	2.7	100	3.6	2.7	3.6	100	3.6	2.7	4.5	100	3.6	3.6	2.7	100	3.6	3.6	3.6	100	3.6	3.6	4.5	100	3.6	4.5	2.7	100	3.6	4.5	3.6	100	3.6	4.5	4.5	100	4.5	2.7	2.7	100	4.5	2.7	3.6	100	4.5	2.7	4.5	100	4.5	3.6	2.7	100	4.5	3.6	3.6	100	4.5	3.6	4.5	100	4.5	4.5	2.7	100	4.5	4.5	3.6	100	4.5	4.5	4.5	100
Room height (m)	Room width (m)	Room length (m)	Utilization factor (%)																																																																																																																																																																																																																														
2.7	2.7	2.7	0.85																																																																																																																																																																																																																														
2.7	2.7	3.6	0.80																																																																																																																																																																																																																														
2.7	2.7	4.5	0.75																																																																																																																																																																																																																														
2.7	3.6	2.7	0.80																																																																																																																																																																																																																														
2.7	3.6	3.6	0.75																																																																																																																																																																																																																														
2.7	3.6	4.5	0.70																																																																																																																																																																																																																														
2.7	4.5	2.7	0.75																																																																																																																																																																																																																														
2.7	4.5	3.6	0.70																																																																																																																																																																																																																														
2.7	4.5	4.5	0.65																																																																																																																																																																																																																														
3.6	2.7	2.7	0.75																																																																																																																																																																																																																														
3.6	2.7	3.6	0.70																																																																																																																																																																																																																														
3.6	2.7	4.5	0.65																																																																																																																																																																																																																														
3.6	3.6	2.7	0.70																																																																																																																																																																																																																														
3.6	3.6	3.6	0.65																																																																																																																																																																																																																														
3.6	3.6	4.5	0.60																																																																																																																																																																																																																														
3.6	4.5	2.7	0.65																																																																																																																																																																																																																														
3.6	4.5	3.6	0.60																																																																																																																																																																																																																														
3.6	4.5	4.5	0.55																																																																																																																																																																																																																														
4.5	2.7	2.7	0.65																																																																																																																																																																																																																														
4.5	2.7	3.6	0.60																																																																																																																																																																																																																														
4.5	2.7	4.5	0.55																																																																																																																																																																																																																														
4.5	3.6	2.7	0.60																																																																																																																																																																																																																														
4.5	3.6	3.6	0.55																																																																																																																																																																																																																														
4.5	3.6	4.5	0.50																																																																																																																																																																																																																														
4.5	4.5	2.7	0.55																																																																																																																																																																																																																														
4.5	4.5	3.6	0.50																																																																																																																																																																																																																														
4.5	4.5	4.5	0.45																																																																																																																																																																																																																														
Room height (m)	Room width (m)	Room length (m)	Luminance (cd/m²)																																																																																																																																																																																																																														
2.7	2.7	2.7	100																																																																																																																																																																																																																														
2.7	2.7	3.6	100																																																																																																																																																																																																																														
2.7	2.7	4.5	100																																																																																																																																																																																																																														
2.7	3.6	2.7	100																																																																																																																																																																																																																														
2.7	3.6	3.6	100																																																																																																																																																																																																																														
2.7	3.6	4.5	100																																																																																																																																																																																																																														
2.7	4.5	2.7	100																																																																																																																																																																																																																														
2.7	4.5	3.6	100																																																																																																																																																																																																																														
2.7	4.5	4.5	100																																																																																																																																																																																																																														
3.6	2.7	2.7	100																																																																																																																																																																																																																														
3.6	2.7	3.6	100																																																																																																																																																																																																																														
3.6	2.7	4.5	100																																																																																																																																																																																																																														
3.6	3.6	2.7	100																																																																																																																																																																																																																														
3.6	3.6	3.6	100																																																																																																																																																																																																																														
3.6	3.6	4.5	100																																																																																																																																																																																																																														
3.6	4.5	2.7	100																																																																																																																																																																																																																														
3.6	4.5	3.6	100																																																																																																																																																																																																																														
3.6	4.5	4.5	100																																																																																																																																																																																																																														
4.5	2.7	2.7	100																																																																																																																																																																																																																														
4.5	2.7	3.6	100																																																																																																																																																																																																																														
4.5	2.7	4.5	100																																																																																																																																																																																																																														
4.5	3.6	2.7	100																																																																																																																																																																																																																														
4.5	3.6	3.6	100																																																																																																																																																																																																																														
4.5	3.6	4.5	100																																																																																																																																																																																																																														
4.5	4.5	2.7	100																																																																																																																																																																																																																														
4.5	4.5	3.6	100																																																																																																																																																																																																																														
4.5	4.5	4.5	100																																																																																																																																																																																																																														

Classic frosted LED Lamps

Lifetime



LEDbulb 60W E14 827 FR B38

LEDbulb 60W E14 827 FR B38

