



CorePro LEDcapsule MV

CorePro LEDcapsuleMV 2.5-25W 827 G9

The LED specialties deliver a high quality light to make themselves to be a true replacement of halogen specialty lamp (such as G9 and R7S). It is particularly suit for task lighting in hotel and restaurants, and ideal for decorative and ambient application. LEDspecialty products deliver huge energy saving and minimize maintenance costs, without any compromise on light quality.

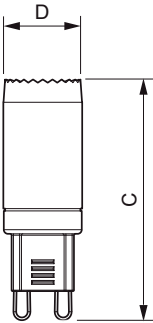
Product data

General Information		Wattage Equivalent	
Cap-Base	G9 [G9]		25 W
Nominal Lifetime (Nom)	15000 h	Starting Time (Nom)	0.5 s
Switching Cycle	50000X	Warm Up Time To 60% Light (Nom)	0.5 s
Technical Type	2.5-25W	Power Factor (Nom)	0.4
		Voltage (Nom)	220-240 V
Light Technical		Controls and Dimming	
Color Code	827 [CCT of 2700K]	Dimmable	No
Luminous Flux (Nom)	204 lm		
Luminous Flux (Rated) (Nom)	204 lm	Approval and Application	
Color Designation	Warm White (WW)	Energy Efficiency Label (EEL)	A+
Correlated Color Temperature (Nom)	2700 K	Energy Consumption kWh/1000 h	3 kWh
Luminous Efficacy (rated) (Nom)	81.6 lm/W	Product Data	
Color Consistency	<6	Full product code	871869641920500
Color Rendering Index (Nom)	80	Order product name	CorePro LEDcapsuleMV 2.5-25W 827 G9
LLMF At End Of Nominal Lifetime (Nom)	70 %	EAN/UPC - Product	8718696419205
Operating and Electrical		Order code	929001133402
Input Frequency	50 Hz	Numerator - Quantity Per Pack	1
Power (Rated) (Nom)	2.5 W	Numerator - Packs per outer box	12
Lamp Current (Nom)	29 mA	Material Nr. (12NC)	929001133402

CorePro LEDcapsule MV

Net Weight (Piece) 0.012 kg

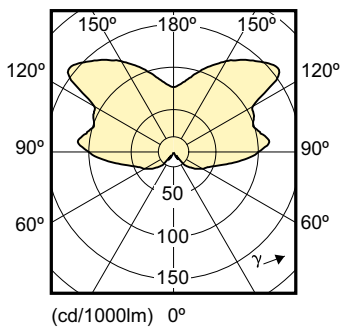
Dimensional drawing



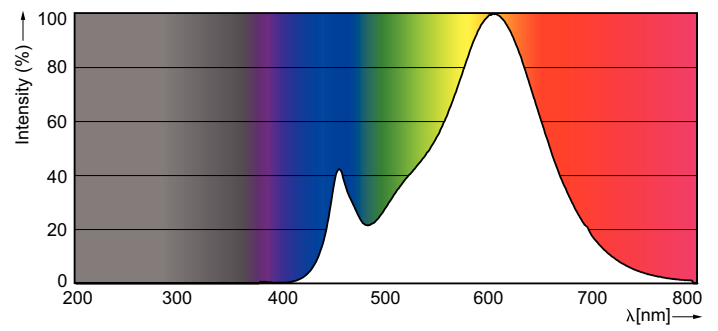
LED 2.5-25W 827 G9

Product	D	C
CorePro LEDcapsuleMV 2.5-25W 827 G9	18 mm	53 mm

Photometric data



2.5-25 W G9 /827



G9 /827

